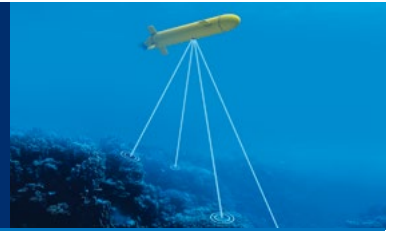


DVL 1MHz/500kHz



UNDERWATER NAVIGATION



TECHNICAL SPECIFICATIONS

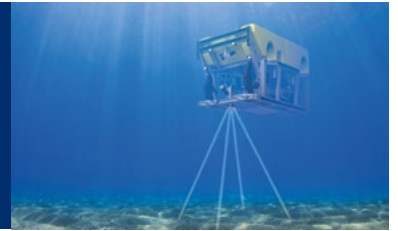
Bottom Velocity	1 MHz	500 kHz		
Single ping std @ 3m/s	0.5 cm/s	0.5 cm/s		
Long term accuracy	±0.2% / ±0.1 cm/s	±0.2% / ±0.1 cm/s		
Minimum altitude	0.2 m	0.3 m		
Maximum altitude	50 m	200 m		
Velocity resolution	0.01 mm/s	0.01 mm/s		
Maximum ping rate*	8 Hz max	8 Hz max		
*) Inquire for more options				
Water Tracking				
Minimum accuracy	1% of measured value / ±0.5 cm/s	1% of measured value / ±0.5 cm/s		
Minimum range	2.0 m	4.0 m		
Current Profiling				
Minimum accuracy	1% of measured value / ±0.5 cm/s	1% of measured value / ±0.5 cm/s		
Velocity resolution	0.1 cm/s	0.1 cm/s		
Interval	User specified nth ping	User specified nth ping		
Maximum range	30 m	70 m		
Blanking	0.1 m	0.5 m		
Cell size	0.2-2.0 m	0.5-4.0 m		
Max # cells	150	140		
Environmental				
Operating temperature	-4 to 40 °C			
Storage temperature	-20 to 60 °C			
Mechanical				
	Head & electronics		Titanium DVL	
	1 MHz	500 kHz	1 MHz	500 kHz
Depth rating	4000 m	6000 m	4000 m	6000 m
Weight	1.7 kg	3.5 kg	2.7 kg	5.9 kg
Weight in water	-	-	1.7 kg	3.1 kg
Height (see drawing)	(see drawing)		(see drawing)	
Diameter	(see drawing)		(see drawing)	

Hardware	1 MHz	500 kHz
Frequency of operation	1 MHz	500 kHz
Configuration	4-beam Janus array convex transducer, 25° beam angle	4-beam Janus array convex transducer, 25° beam angle
Internal memory	16 GB / 64 GB optional	16 GB / 64 GB optional
Interfaces		
Serial (either serial or Ethernet)	Configurable RS232 or RS422 Subconn connector, 8 pin male	
Ethernet	10/100 Mbps Auto MDI-X TCP/IP, UDP, HTTP protocols Fixed IP/DHCP client/AutoIP, UPnP IEEE1588/PTP for absolute time stamping Subconn connector, 8 pin male	
Data formats	Nortek proprietary w/ 1 ms time stamp accuracy, NMEA0183, Variants of PDO.	
Trigger	Internal 1, 2, 3, 4, 5, 6, 7 or 8 Hz Trigger option through command (Ethernet or serial) External TTL or 485 lines: - 1 input trigger (configurable Rising/Falling/Edges)	
Sensors		
Pressure	0.1%FS / precision better than 0.002% of full scale per sample	
Temperature	-4° to 40°C ±0.1°C	
Power		
DC input	12-48 v	12-48 v
Maximum Peak Current	1.0 A	1.0 A
Average power	1.3 W	3.0 W
Materials		
Standard models	All materials Titanium and Delrin	

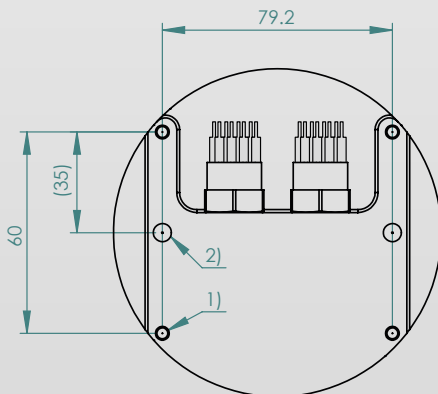
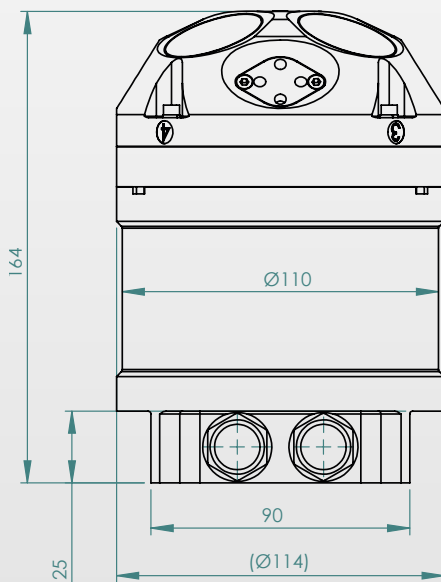
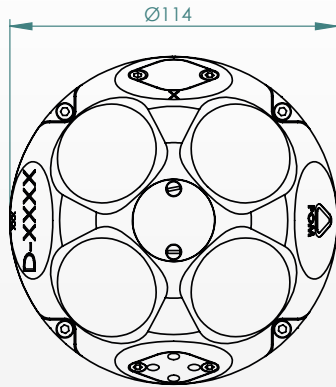


DVL 1MHz/500kHz

UNDERWATER NAVIGATION

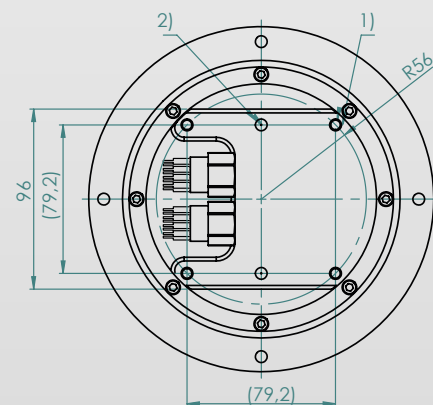
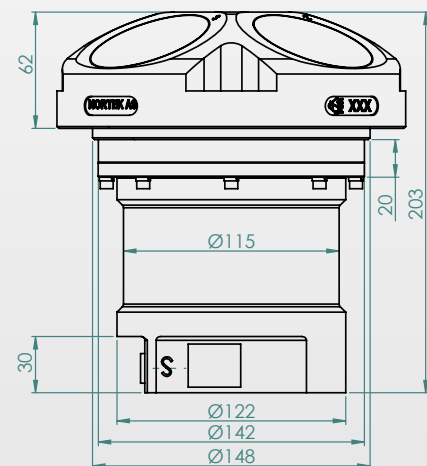
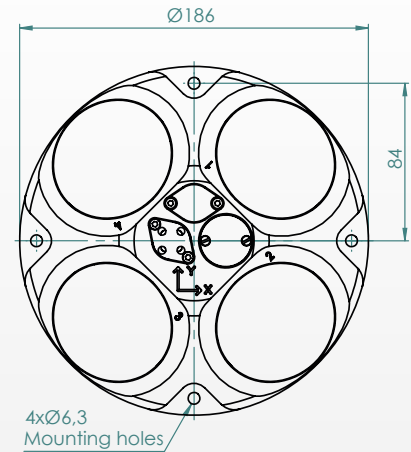


DVL 1 MHz



1) or 2) depending on the type of mounting plate.
Inquire for optional mounting plates.

DVL 500 kHz



- 1) Mounting holes: 4x 1/4-20UNC 12 deep
- 2) Guide pin holes: Ø6,3 x 10 deep

All dimensions in mm.



Nortek AS
Vangkroken 2
1351 Rud, Norway
Tel: +47 6717 4500
inquiry@nortek.no

Nortek Japan
jpinquiry@nortek.jp
Tel: +81 03 6435 3270

Nortek China
inquiry@nortek.com.cn
Tel: +86-532-85017270

Nortek Netherlands
info@nortek-bv.nl
Tel: +31 206543 600

Nortek France
info@nortekmed.com
Tel: +33 (0) 4 94 31 70 30

Nortek UK
inquiry@nortekuk.co.uk
Tel: +44 (0) 2380 596 428

Nortek Brazil
nortek@nortekbrasil.com.br
Tel: +55 (22) 2765-7630

Nortek USA
inquiry@nortekusa.com
Tel: +1 617-206-5750

For representatives in other countries, please refer to www.nortek.no.