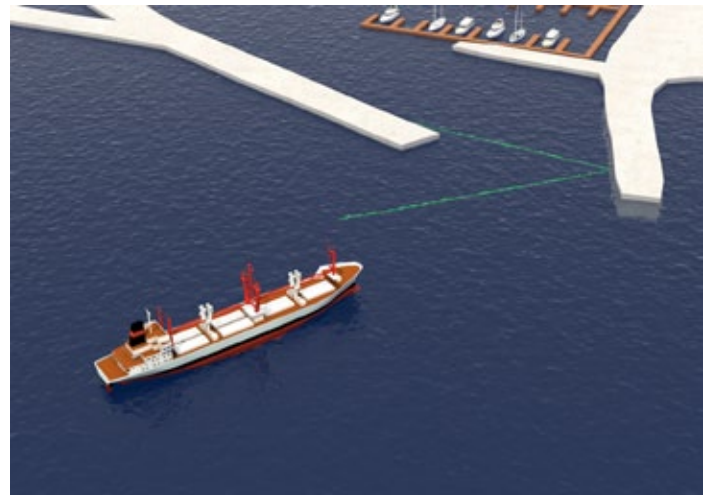
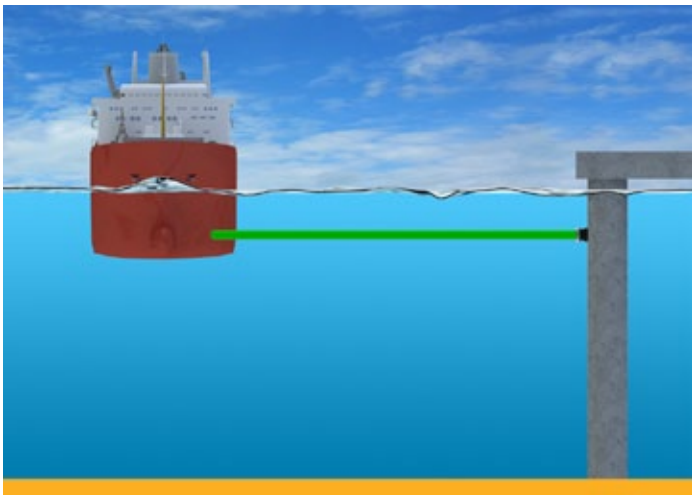
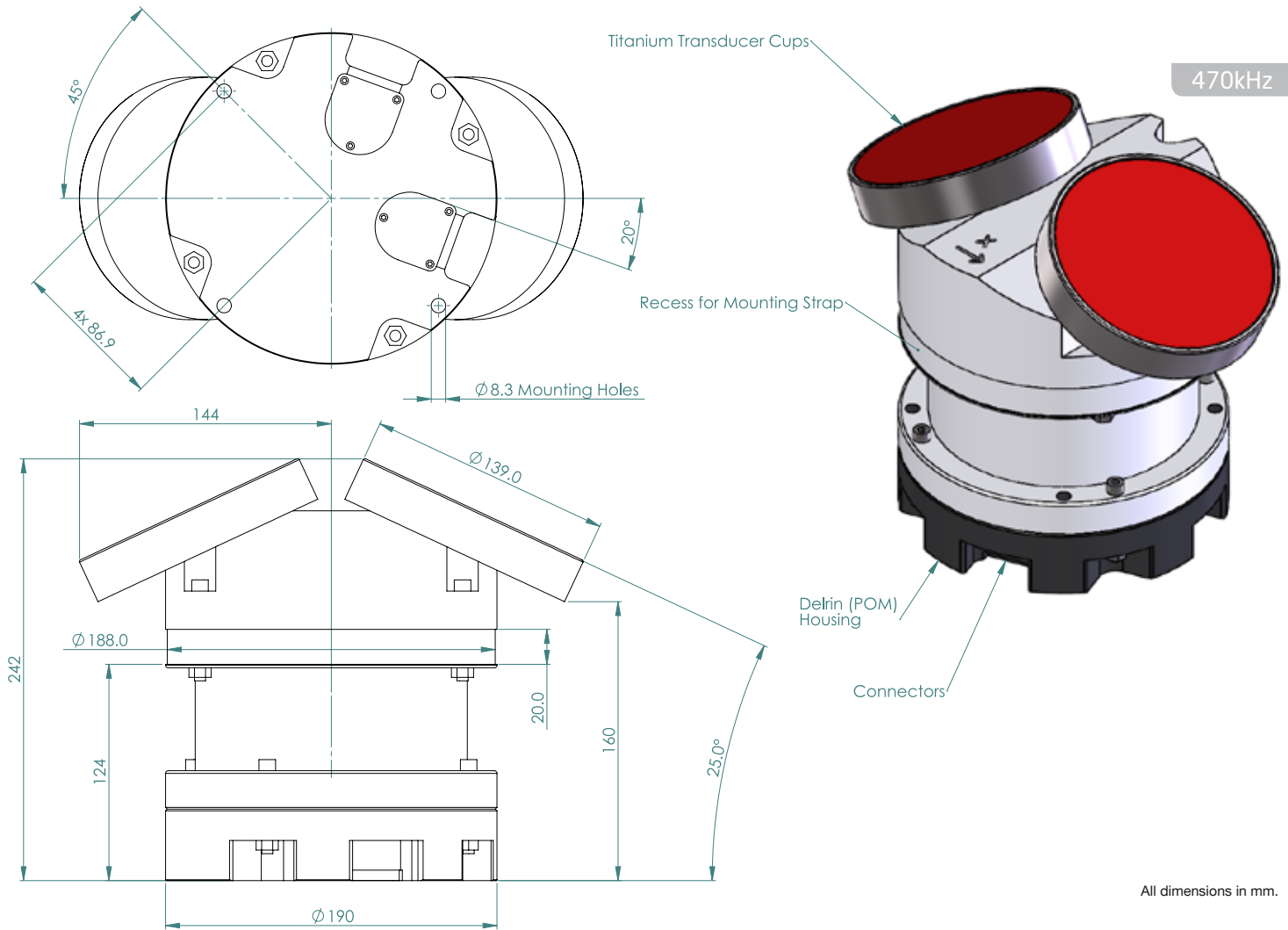


The Continental is a current profiler designed to give you that extra range. 2D Instruments that are mounted horizontally can measure the two horizontal velocity components and is suitable for port & harbour applications.

Continental

2D Current Profiler



The 2-Dimensional Continental is normally mounted horizontally on the channel or pier wall and profiles the 2D current along a horizontal segment. This application is common for navigation channels or at the entrance of a port.

CURRENT AND WAVE MEASUREMENTS IN THE OCEAN, LAKE AND LABORATORY



Nortek AS
 Vangkroken 2
 1351 Rud, Norway
 Tel: +47 6717 4500
 Fax: +47 6713 6770
 E-mail: inquiry@nortek.no



www.nortek-as.com
 True innovation makes a difference

Water Velocity Measurement

Profiling range*:	100m
Cell size:	1-10m
Min. blanking:	1m
Max. # cells:	128
Velocity range:	±10m/s
Accuracy:	1% of measured value ± 0.5cm/s
Velocity resolution:	0.1cm/s

*) The Continental measures the current profile in a user specified number of cells from the instrument out to a maximum range which depends on the acoustic scattering conditions and the cell size.

Echo Intensity

Sampling:	Same as velocity
Resolution:	0.45dB
Dynamic range:	90dB

Transducer

Acoustic frequency:	470.5kHz
No. of beams:	2, slanted at 25°
Beam width:	1.6°

Sensors

Temperature:	Thermistor embedded in head
Range:	-4°C to 40°C
Accuracy/Resolution:	0.1°C/0.01°C
Time response:	10 min
Compass:	Magnetometer
Accuracy/Resolution:	2°/0.1° for tilt < 20°
Tilt:	Liquid level
Maximum tilt:	30°
Up or down:	Automatic detect
Pressure:	Piezoresistive
Standard Range:	0-500m
Accuracy/Resolution:	0.5% / Better than 0.005% of full scale per sample

Analog inputs

Number of channels:	2
Voltage supply:	Three options selectable through firmware commands: • Battery voltage / 500mA • +5V / 250mA • +12V / 100mA
Voltage input:	0-5V
Resolution:	16 bit A/D

Data Communication

I/O:	RS-232 or RS-422. Software supports most commercially available USB- RS232 converters
Communication Baud rate:	300-115200 baud
Recorder download Baud rate:	600/1200 kBaud for both RS232 and RS422

Data Recording

Capacity (standard):	2 MB, can add 152MB
Data record:	120 bytes + 9xNcells
Mode:	Stop when full (default) or wrap mode

Software ("Continental")

Operating system:	Windows®, XP, Windows® 7
Functions:	Deployment planning, start with alarm, data retrieval, ASCII conversion. Online data collection and graphical display. Test modes

Power

DC input:	12-18VDC
Max. avg. consumption at 1Hz:	15W
Typical average consumption:	0.2 - 0.5W
Sleep:	0.0013W
Transmit power:	2-120W, 4 adjustable levels

Real Time Clock

Accuracy:	± 1min/year
Backup in absence of power:	15min

Materials

Standard model:	Delrin® and polyurethane plastics with titanium bolts. Titanium transducer cups
-----------------	---

Connectors

Bulkhead (Impulse):	LPMBH-8-FS (bronze) – comm LPMBH-2-FS (bronze) – power
Cable:	PLPMIL-8-MP on 10 m polyurethane cable

Environmental

Operating temperature:	-4°C to 40°C
Storage temperature:	-20°C to 60°C
Shock and vibration:	IEC 721-3-2
Pressure rating:	500m


Dimensions


Dimensions are shown in the drawings on the front page	
Weight in air:	7.2kg
Weight in water:	1.4 kg


Options

External Batteries:	The Continental has no internal batteries, but uses external canister.
Battery options:	Alkaline, Lithium, Lithium Ion (see battery brochure for details)



 NortekMed S.A.S.
Z.I. Toulon Est
BP 520
83 078 TOULON cedex 09
FRANCE
Tel: +33 (0) 4 94 31 70 30
Fax: +33 (0) 4 94 31 25 49
E-mail: info@nortekmed.com

 NortekUK
Mildmay House, High St.
Hartley Wintney
Hants. RG27 8NY
Tel: +44- 1428 751 953
E-mail: inquiry@nortekuk.co.uk

 NortekUSA
222 Severn Avenue
Building 14, Suite 102
Annapolis, MD 21403
Tel: +1 (410) 295-3733
Fax: +1 (410) 295-2918
E-mail: inquiry@nortekusa.com

 青岛诺泰克测量设备有限公司
地址: 中国青岛香港西路65号
汇融广场1302
邮编: 266071
Tel: 0532-85017570, 85017270
Fax: 0532-85017570
E-mail: inquiry@nortek.com.cn

 Nortek B.V.
Schipholweg 333a
1171PL Badhoevedorp
Nederland
Tel: +31 20 6543600
Fax: +31 20 6599830
email: info@nortek-bv.nl